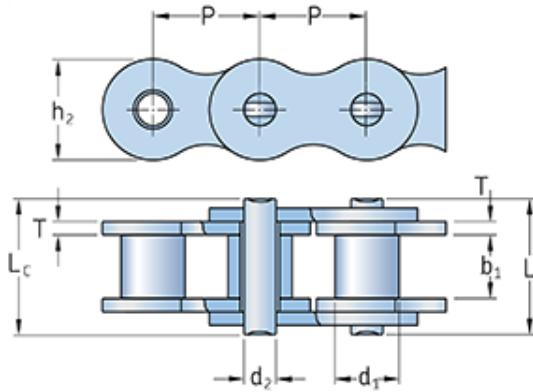


PHC 16B-1SSX5MTR



Pitch P (mm)	25.4
Roller diameter d1 max (mm)	15.88
Width between inner plates b1 min (mm)	17.02
Pin diameter d2 max (mm)	8.28
Plate height h2 max (mm)	21
Plate thickness T max (mm)	3.1
Weight (kg/m)	2.72